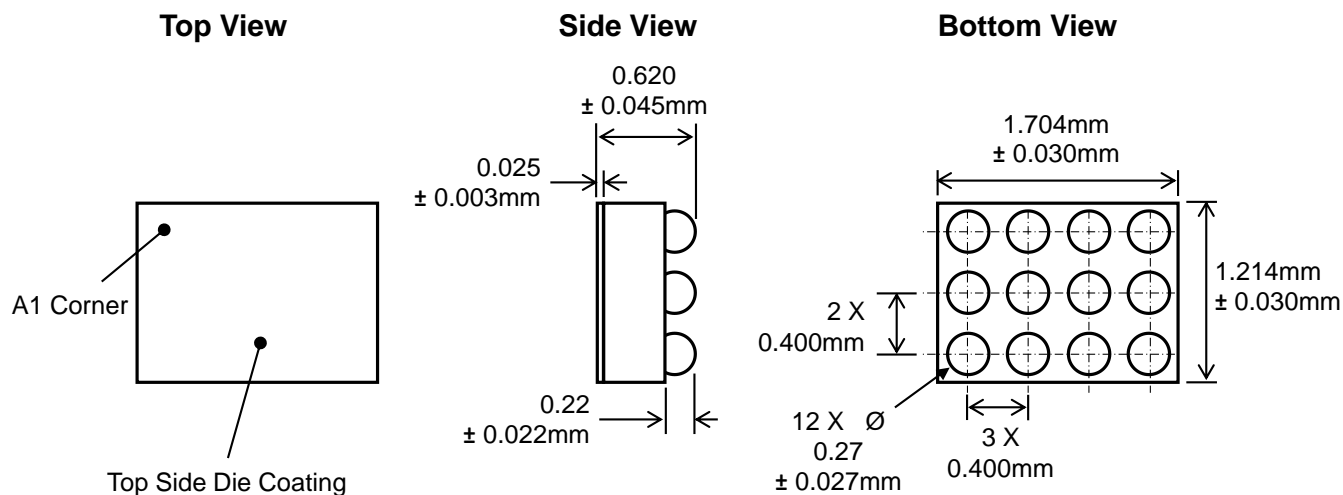


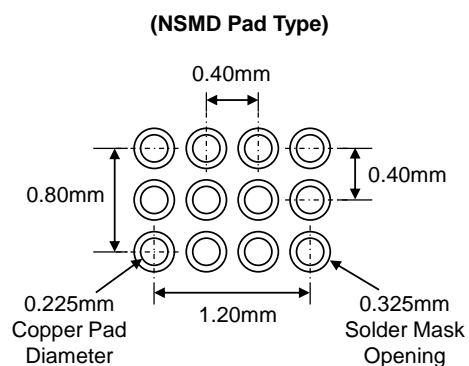
## WLCSP43-12

**Package Code: UZ**

WLCSP43-12 (1.70mm x 1.21mm x 0.62mm)



### Recommended Footprint



\* Dimensions are in millimeters.

Kinetic Technologies cannot assume responsibility for use of any circuitry other than circuitry entirely embodied in a Kinetic Technologies product. No intellectual property or circuit patent licenses are implied. Kinetic Technologies reserves the right to change the circuitry and specifications without notice at any time.