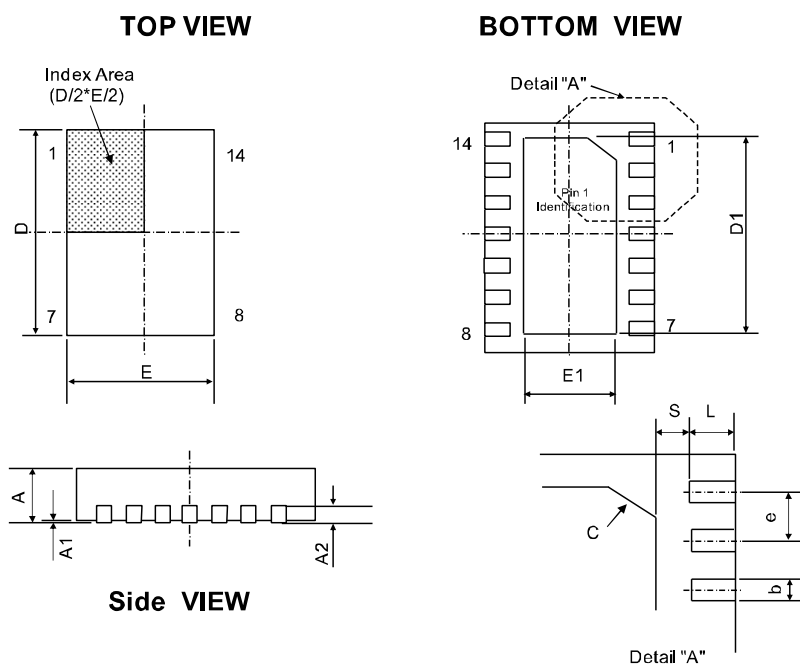


## TDFN23-14

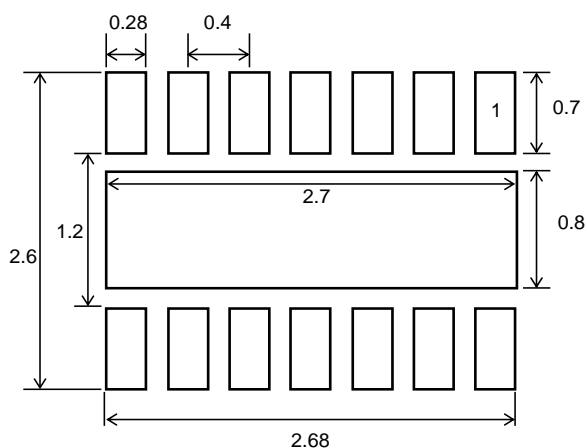
**Package Code: JH**

TDFN23-14x (3.00mm x 2.00mm x 0.75mm)



Dimension	mm		
	Min.	Typ.	Max.
A	0.70	0.75	0.85
A1	0.00	0.05	0.10
A2	0.18	0.23	0.28
b	0.14	0.21	0.28
c	0.35 REF		
D	2.90	3.00	3.10
D1	2.35	2.50	2.65
E	1.90	2.00	2.10
E1	0.70	0.80	0.90
e	0.40BSC		
L	0.30	0.35	0.40
S	0.125 MIN		

### Recommended Footprint



\*Dimensions are in millimeters

Kinetic Technologies cannot assume responsibility for use of any circuitry other than circuitry entirely embodied in a Kinetic Technologies product. No intellectual property or circuit patent licenses are implied. Kinetic Technologies reserves the right to change the circuitry and specifications without notice at any time.