

## How to Design Kinetic Technologies KTA1550 for Use with Voltage-Mode PHY

### Overview

This document provides an overview of a design using the Kinetic KTA1550 device with a voltage-mode PHY; the specific design example in this document shows the KTA1550 used with the Broadcom BCM54610 PHY. The KTA1550 is a Dual Channel Active EMI suppressor for Ethernet Applications for both Power over Ethernet (PoE) and traditional non-PoE Ethernet systems, where compliance to tougher EMI Emissions (Class B), EMI Immunity standards (Level 2/3 or higher) and / or ESD ( $\pm 25\text{kV}$  Air Discharge /  $\pm 12\text{kV}$  CDE) is required.

There are various voltage-mode PHYs in the market, ranging from standalone to embedded in IP processors. As such, the presented method of use applies to a general category, and some fine tuning may be necessary for other part numbers or manufacturers.

This document is to be used in conjunction with relevant parts datasheets and application notes that provide generic design guidelines for the KTA1550 part.

### Design Notes

For a more detailed description of the KTA1550 technology and applications, please refer to additional reference material along with these design notes.

#### Line Transformer Powering

Designing the Kinetic KTA1550 with Broadcom's BCM54610 (voltage mode PHY) requires some minimal circuit modifications in order to have the KTA1550 and BCM54610 voltage mode PHY compatible. The following changes have been tested, and the combined circuit is Ethernet compliant.

The BCM54610 Ethernet transceiver is a voltage-mode device that provides its own common mode voltage to the transformer, rather than an off chip supply as is usual in a current mode design. The common mode voltage for the BCM54610 Ethernet transceiver in 10, 100, and 1000Base-T mode is nominally at 1.65V. The KTA1550 shall be connected in parallel to the Broadcom PHY, and the center-tap of the transformer shall source a voltage close to 1.65V. This voltage to the center tap current shall be supplied from the PHY\_VDD (2.5V) supply through a 16 $\Omega$  resistor (R1) to the center tap of the transformer (C12). The 16 $\Omega$  resistor is calculated based on the following equation:

$$R = [\text{PHY\_VDD} - 1.7\text{V}] / 50\text{mA}$$

$$\text{PHY\_VDD} = 2.5\text{V}$$

Two KTA1550 will draw 50mA current

1.7V Common Mode voltage of BCM54610

$$([2.5\text{V} - 1.70\text{V}] / 50\text{mA} = 16\Omega).$$

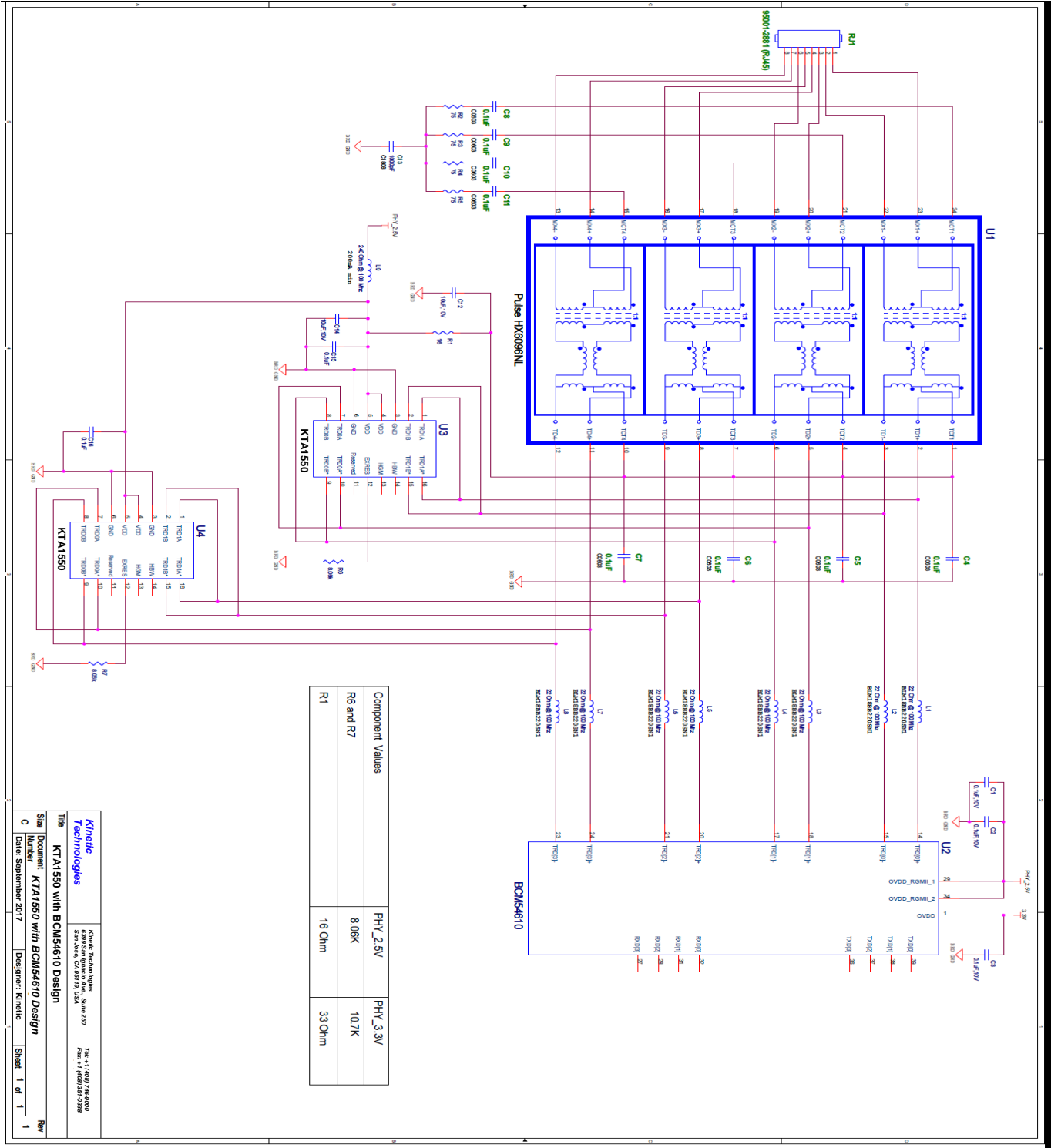
When using two KTA1550 in the case of a 1000Base\_T application, both KTA1550 will draw 50mA combined; therefore, using a 16 $\Omega$  resistor will provide adequate current for the two KTA1550 devices.

It is also important to note that in order to meet return loss, 22 $\Omega$  ferrite beads (22 $\Omega$ @100kHz, 500mA; M18BA220SN1D) are added in series with the PHY to achieve the required return loss performance.

If the design uses a current-mode PHY, then the center tap voltage of the transformer can be set to PHY\_VDD. In this case, the resistor R1 should be set to 0 $\Omega$ .

## Design Schematics

Schematics and BOM are embedded here for reference only. For high quality images, please see separate PDF and XLS files respectively.



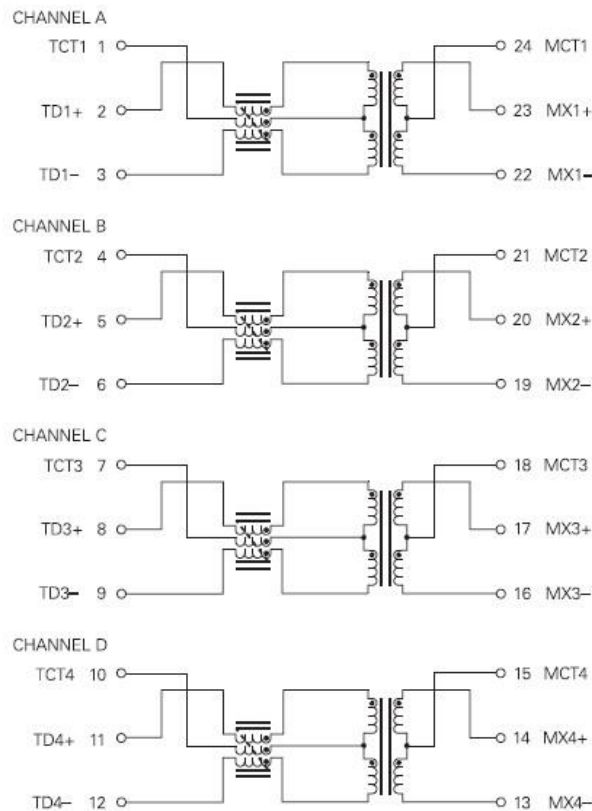
**Transformer Schematic**

**PoE\* Plus**  
**Gigabit Transformer Modules**  
\*Power over Ethernet



**Schematic**

**H6096NL, HX6096NL**



Kinetic Technologies cannot assume responsibility for use of any circuitry other than circuitry entirely embodied in a Kinetic Technologies product. No intellectual property or circuit patent licenses are implied. Kinetic Technologies reserves the right to change the circuitry and specifications without notice at any time.