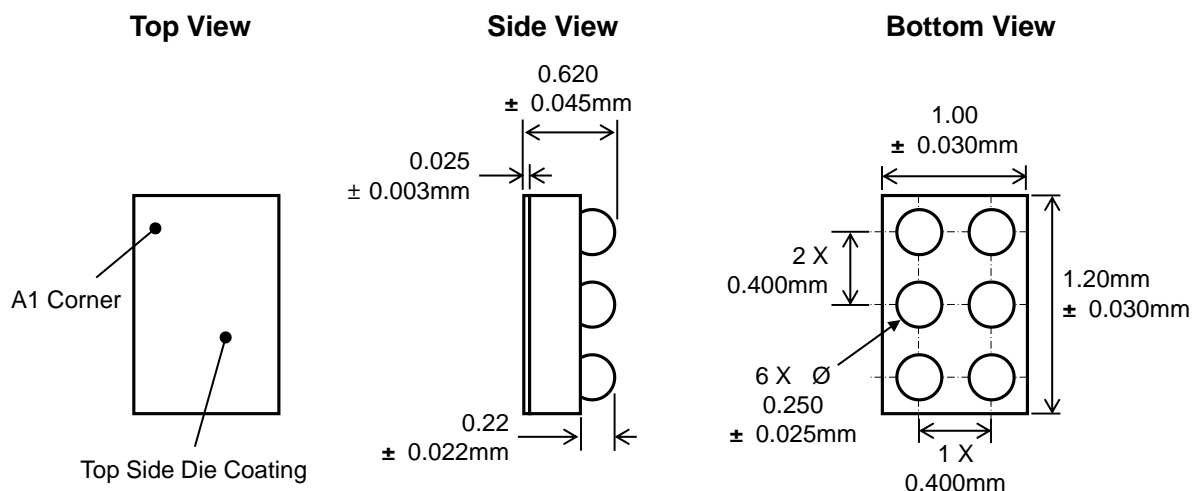


WLCSP23-6

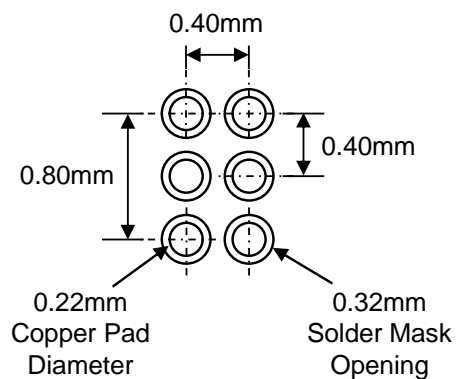
Package Code: UN

WLCSP23-6 (1.20mm x 1.00mm x 0.62mm)



Recommended Footprint

(NSMD Pad Type)



* Dimensions are in millimeters.

Kinetic Technologies cannot assume responsibility for use of any circuitry other than circuitry entirely embodied in a Kinetic Technologies product. No intellectual property or circuit patent licenses are implied. Kinetic Technologies reserves the right to change the circuitry and specifications without notice at any time.